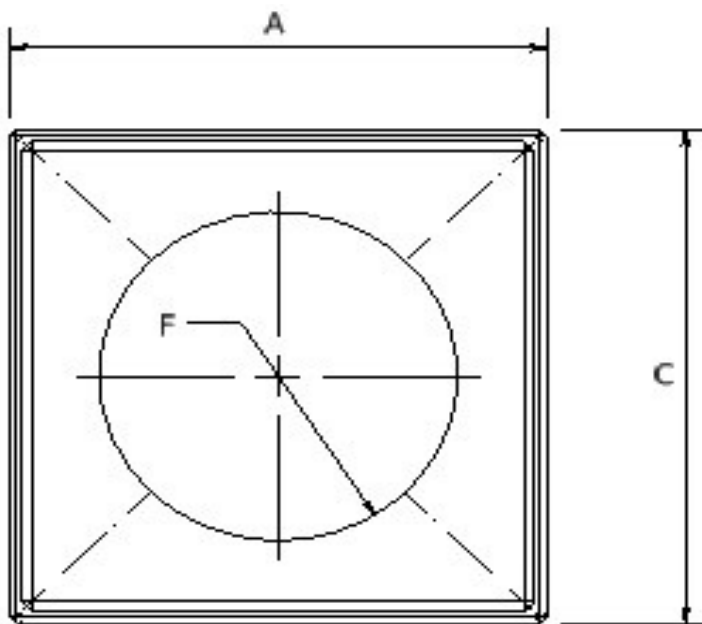
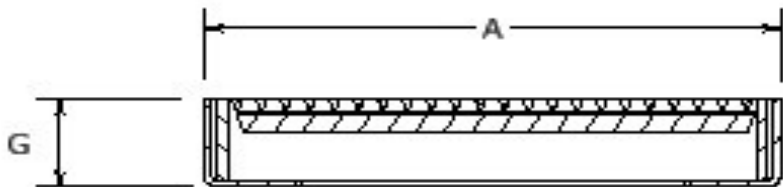


Floating Floor Waste

FFW150 /FFW200 /FFW300



Floating Floor wastes are typically used in commercial and Industrial settings. Dimensions can be manufactured to site specifications.

Overall depth of grate is a minimal 20mm, allowing the waste to float in the sand cement bed.

Additionally they are adaptable to suit our range of quality architectural drainage systems.

FEATURES & BENEFITS

- Manufactured to your specifications
- Quick turn around
- Made with wedge wire for its high flow characteristics.
- Trough thickness 2-3mm
- 304 or 316 grade s/s
- Delivered to site

For enquires, quotes or to place an order
Call 0243224955



Australian Owned
& Manufactured

