

T 02 4322 4955
 F 02 4322 4977
 E easyflowds@bigpond.com



Tile Insert ORDER FORM

Order N°

Name _____

Phone _____

Email _____

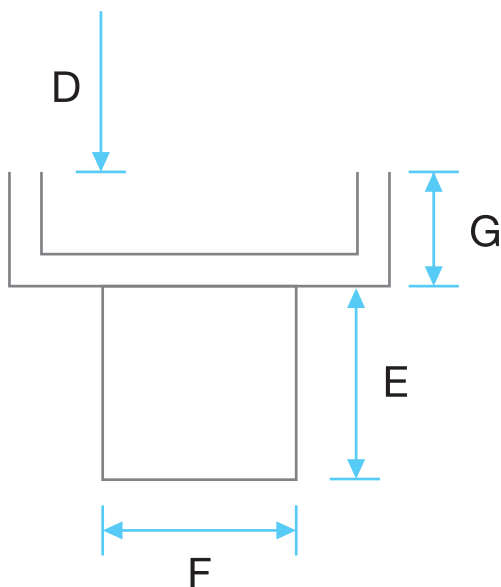
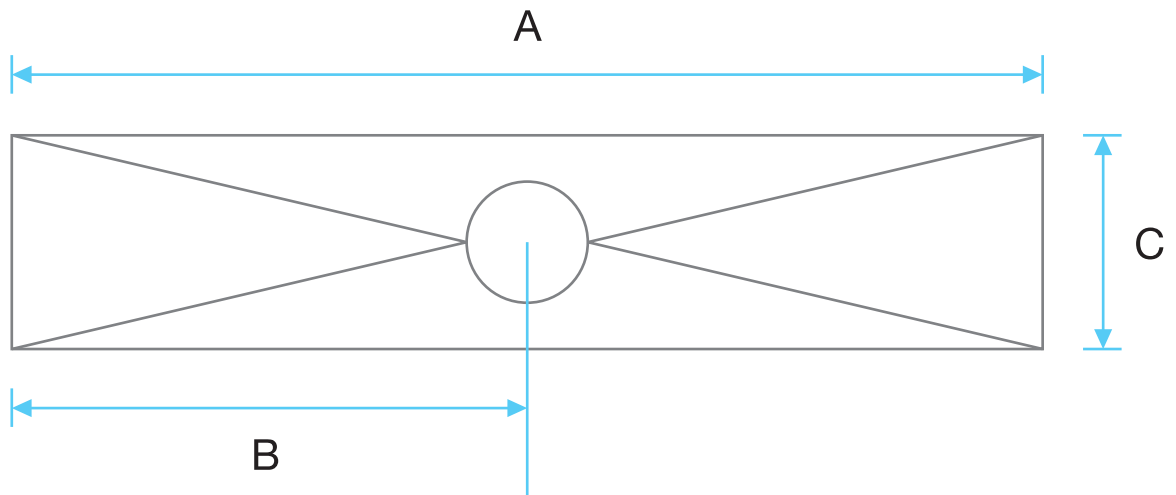
Date _____

Grade 316

Grade 304

Lint Basket

Grate Lifter



A	
B	
C	
D	
E	
F	
G	

Quantity _____

I agree that the information provided on this sheet is correct. (Please tick)