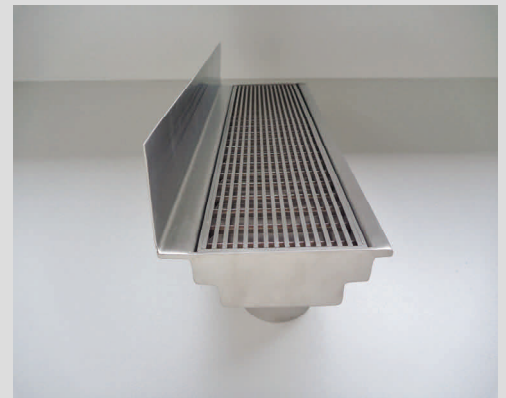
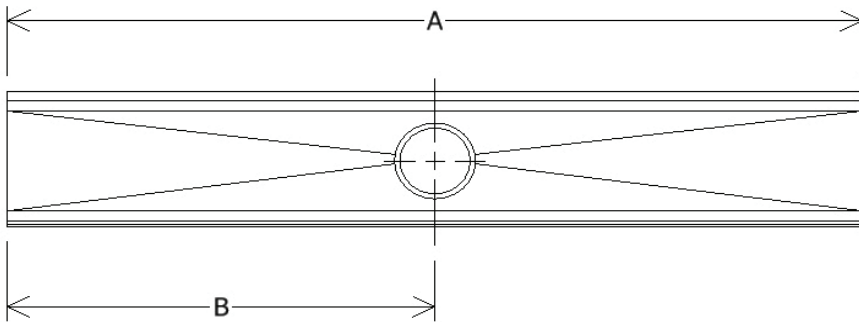


Back set waterproof grate & trough



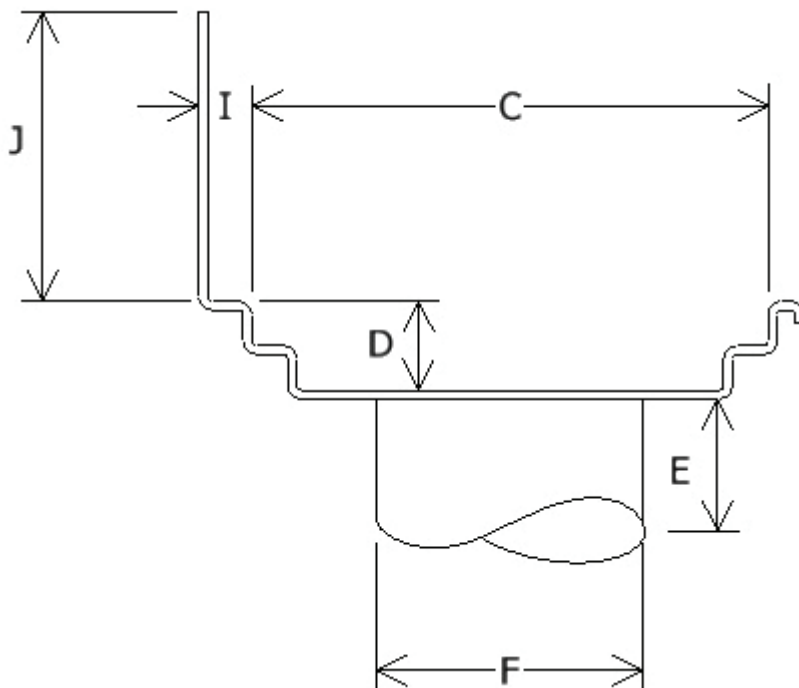
Where waterproofing is necessary, lineal wedge wire grate made with wide built in flashings to horizontal and vertical surfaces.

Can be made to any size

Additionally they are adaptable to suit our range of quality architectural drainage systems.

FEATURES & BENEFITS

- Manufactured to your specifications
- Quick turn around
- Made with wedge wire for its high flow characteristics.
- Trough thickness 2-3mm
- 304 or 316 grade s/s
- Delivered to site



For enquires, quotes or to place an order
Call 0243224955



Australian Owned
& Manufactured

