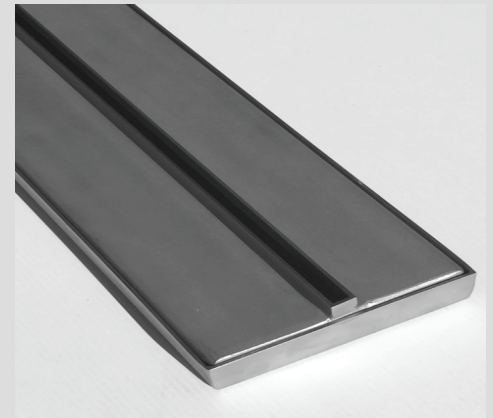
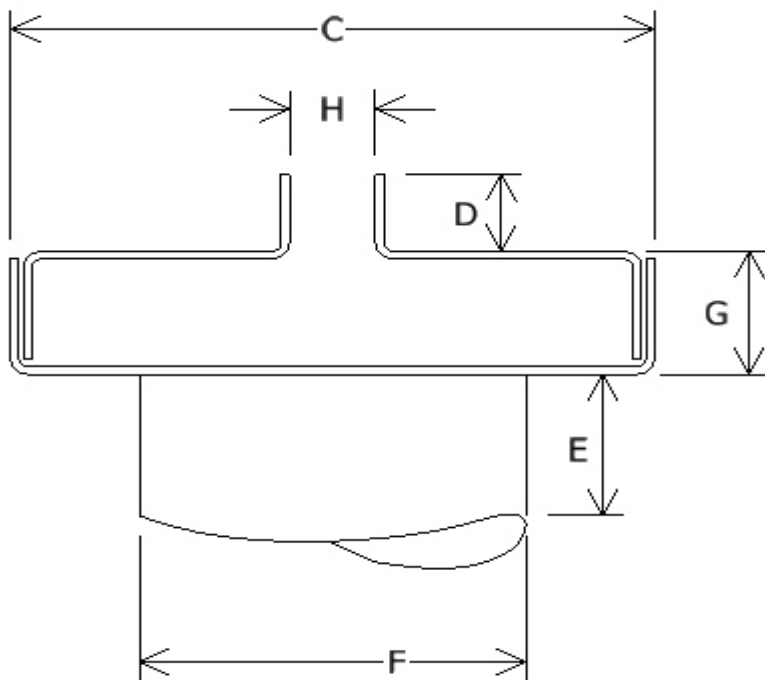
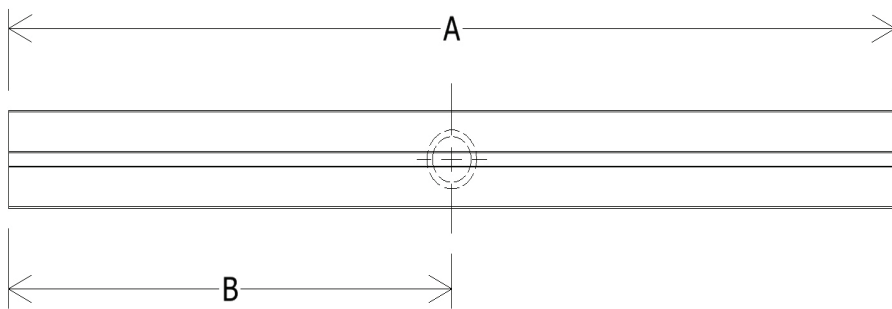


Slot drain & trough



Our slot drains are custom made for every application they are designed for a minimal visual impact. Manufactured using 2mm material for strength and longevity.

Great around paved pool areas. Comes with built in access port if required.

Additionally they are adaptable to suit our range of quality architectural drainage systems.

FEATURES & BENEFITS

- Trough thickness 2mm
- 316 grade s/s
- Manufactured to your specifications
- Quick turn around
- Delivered to site

For enquires, quotes or to place an order
Call 0243224955



Australian Owned
& Manufactured

